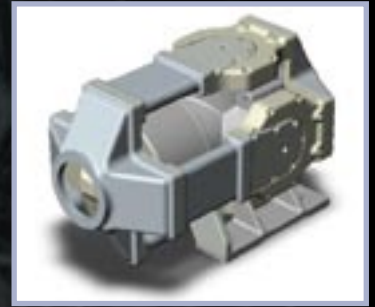


CAD, 3D Modelling & Solidification capability

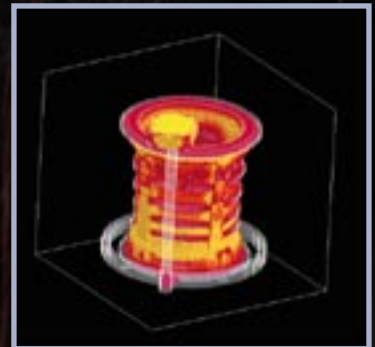
In order to facilitate a robust process, we have invested in various foundry and manufacturing associated software applications. We have modern CAD facilities with 2D to 3D conversion capability. We can accept drawings in a variety of formats and quickly calculate the required parameters to allow a speedy response to any enquiry or quotation.



We also have on site solidification modelling software, which allows us to prove the method of any complex castings, and make any necessary changes before producing the first product qualification casting. This reduces both lead time costs and the chance of

sub surface casting defects.

To complete our technical facilities we have a Spectrographic and Laboratory support facility on site.



All mechanical testing is carried out using a NAMAS approved testing house.



**BATLEY
FOUNDRY LTD**

A World of Excellence in Iron Founding

Tel: 01924 472481
Fax: 01924 473633
Web: www.batleyfoundry.co.uk
Warwick Road, Batley, WF17 6BB

An ISO 9001:2000 Registered Company